



Kadson®

Creativity Unmatched...

PRODUCT
GUIDE
20/18



www.kadson.co.in





P|R|O|F|I|L|E

CUSTOMER SATISFACTION

Client satisfaction is the primary motto of our firm and strive to attain and maintain the same. We offer customized solutions to the patrons so as to fulfill the diverse requirements of a wide client base. Further, we offer our products as competitive prices and offer easy payment modes of cash, cheque, DD and online payment. We also lay strong emphasis on delivering a defect free product range within the determined time line. Owing to our fair business policies and transparency in business dealings, we have been able to win the trust and confidence of our valued customers, within no time.

VISION

With a clear vision of customer satisfaction our prime concern has always been to keep our customer at a leading edge of development both technologically and economically.

MISSION

Our Purpose Leads to the advancement of Technology in Door Closer and Thus Contributing the Comfort and Enhancement to the Existence of Human Life.

Seeks always to be considered as the major contributor to the society economically and culturally. Dedicated to the development of technology through scientific excellence and innovations. Makes life merry to all those who are connected with us.

Provides perfect working environment and seeks to be the most preferred organization to work with. Contributing enormously in economic development of the country.

Creativity Unmatched

Established in the year 1995, we "Kadson Engineers, Rajkot", are a noted name in manufacturing and supplying Door Closers, Floor Springs, Mortise Handle, Lock Body, Lock Cylinder and Rim Lock etc.. We also offer Automatic Door Closer, Door Hardware, Hardware Fittings, Iron Door Closer, Hydraulic Buffering Hing, Door Spring, Heavy Duty Door Closer. These products are largely acknowledged for their comprehensive features like durability, supreme quality, flawless functioning, longer working life and ease of installation. All our products are manufactured as per the recommended standards of the industry. We customize our products in terms of well-defined parameters as specified by the clients in order to satisfy variegated requirements of the customers. Moreover, we make use of finest quality raw material in our manufacturing process, which is procured from recognized vendors of the market. In order to bring out meaningful up gradations, we also keep continuous improvement and innovation in our range & processes.

Our Organization is backed by a team of diligent professionals, which help us in garnering a huge base of satisfied customers. They work courageously and sincerely to meet organizational goal within the committed time frame. Moreover, we have developed a state of the art infrastructure facility, which allow us to manufacture an unsurpassed range of products for our patrons. Also, we have established a spacious and voluminous warehouse unit in order to keep our finished products systematically.

INDEX

06-43

MORTISE HANDLES
PREMIUM

44-45

MORTISE HANDLES
STAINLESS STEEL

48-50

LOCK BODY
PREMIUM

51

CYLINDER
PREMIUM

52-53

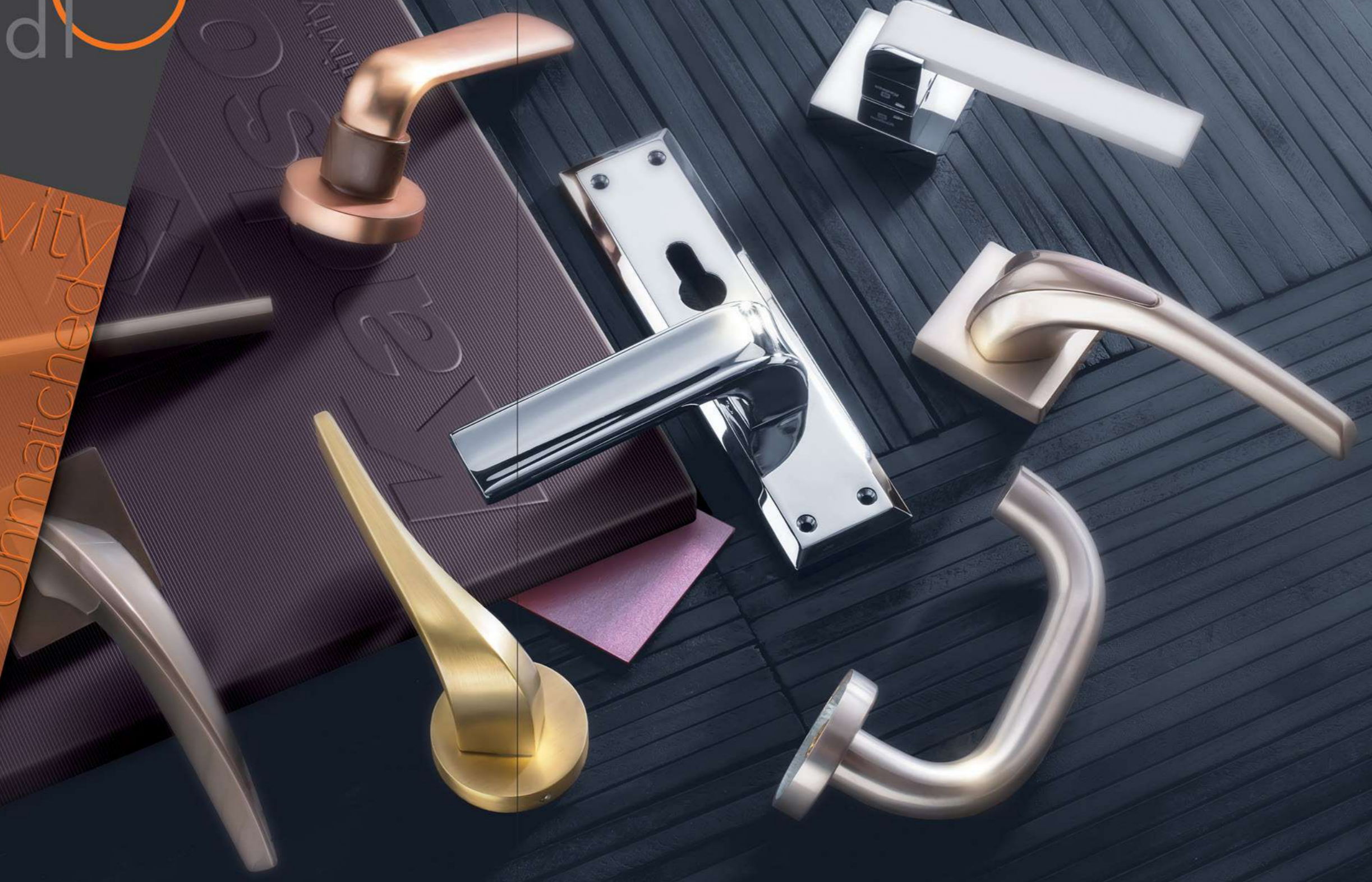
DOOR FITTINGS
PREMIUM

MORTIS Handl

Creativity
Unmatched



Kadson
Creativity Unmatched...



3001



Finish
MATT



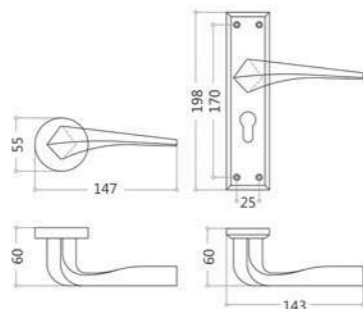
Finish
ANTIQUE BRASS



Finish
CHROME



Finish
BLACKENING



Model	3001	
Description	Zinc Die Casting	
Grade	Mazak 5	
Available Type	Rose & Plate	
Finish	Code	Qty. in box
Matt	3001 SS	1 set
Chrome	3001 CP	1 set
Antique Brass	3001 AB	1 set
Blackening	3001 BLN	1 set



3002



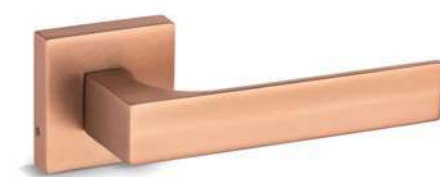
Finish
MATT



Finish
ANTIQUE BRASS



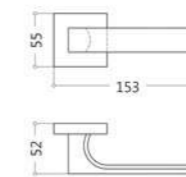
Finish
SATIN



Finish
ROSE GOLD



Finish
CHROME



Model	3002	
Description	Zinc Die Casting	
Grade	Mazak 5	
Available Type	Rose	
Finish	Code	Qty. in box
Matt	3002 SS	1 set
Satin	3002 ST	1 set
Chrome	3002 CP	1 set
Antique Brass	3002 AB	1 set
Rose Gold	3002 RG	1 set



Available Rose Handles Round Base | Plate Handles

3003



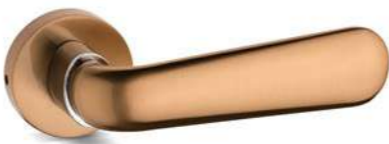
Finish
MATT
+ CHROME



Finish
ANTIQUE BRASS
+ WOOD



Finish
CHROME
+ WOOD



Finish
SAMPION
+ CHROME



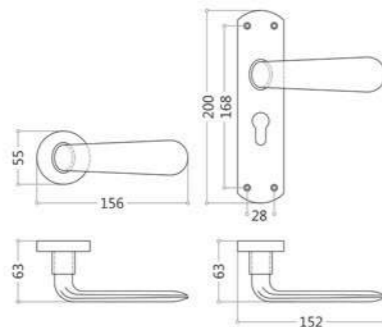
Finish
COCACOLA
+ CHROME



Finish
ROSE GOLD
+ WOOD



Finish
SATIN
+ WOOD



Model	3003		
Description	Zinc Die Casting		
Grade	Mazak 5		
Available Type	Rose & Plate		
Finish	Code	Qty. in box	
Matt + Chrome	3003 SS CP	1 set	
Chrome + Wood	3003 CP W	1 set	
Cocacola + Chrome	3003 CO CP	1 set	
Antique Brass + Wood	3003 AB W	1 set	
Sampion + Chrome	3003 SP CP	1 set	
Rose Gold + Wood	3003 RG W	1 set	
Satin + Wood	3003 ST W	1 set	



Available Rose Handles Square Base | Plate Handles

3004



Finish
MATT
+ CHROME



Finish
BLACK
+ CHROME



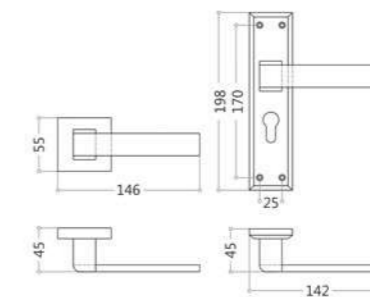
Finish
CHROME
+ WOOD



Finish
BROWN
+ CHROME



Finish
WHITE
+ CHROME

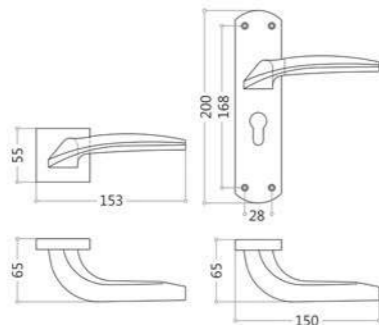
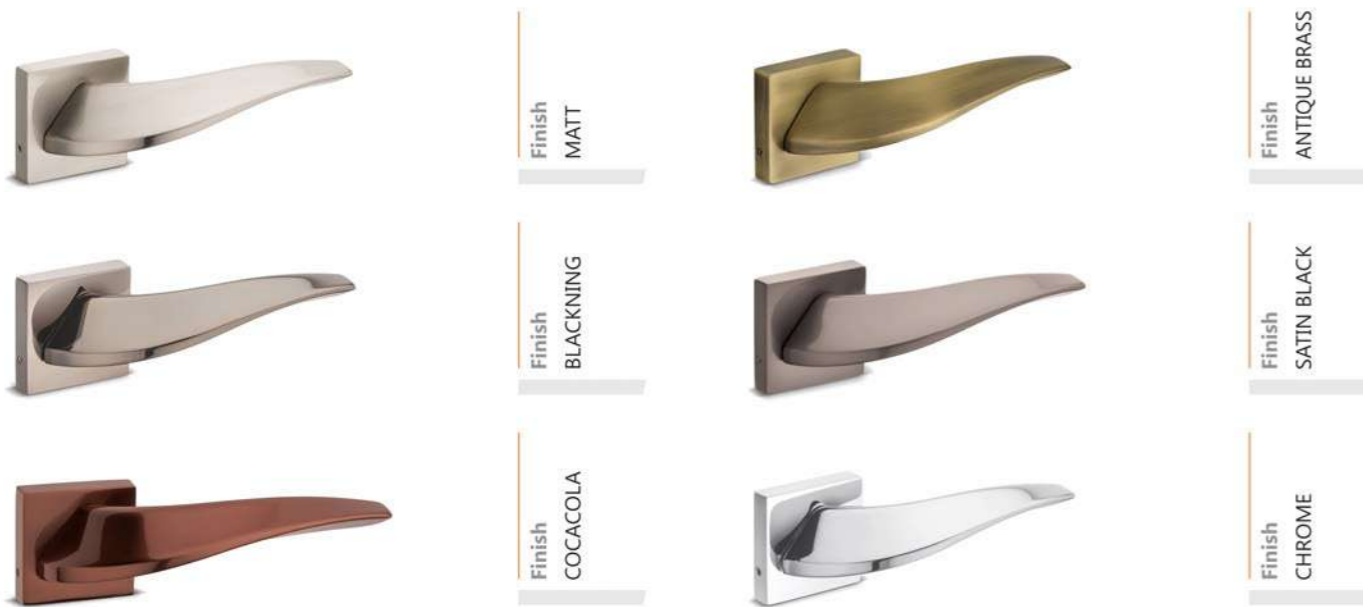


Model	3004		
Description	Zinc Die Casting		
Grade	Mazak 5		
Available Type	Rose & Plate		
Finish	Code	Qty. in box	
Matt + Chrome	3004 SS CP	1 set	
Chrome + Wood	3004 CP W	1 set	
Black + Chrome	3004 BL CP	1 set	
Brown + Chrome	3004 BR CP	1 set	
White + Chrome	3004 WH CP	1 set	



Available Rose Handles Square Base | Plate Handles

3005



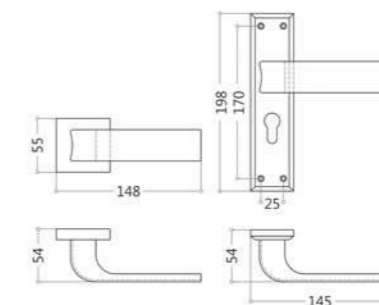
Model	3005
Description	Zinc Die Casting
Grade	Mazak 5
Available Type	Rose & Plate

Finish	Code	Qty. in box
Matt	3005 SS	1 set
Blackning	3005 BLN	1 set
Cocacola	3005 CO	1 set
Antique Brass	3005 AB	1 set
Satin Black	3005 STB	1 set
Chrome	3005 CP	1 set
Satin	3005 ST	1 set



Available Rose Handles Square Base | Plate Handles

3006



Model	3006
Description	Zinc Die Casting
Grade	Mazak 5
Available Type	Rose & Plate

Finish	Code	Qty. in box
Matt	3006 SS	1 set
Antique Brass	3006 AB	1 set
Blackning	3006 BLN	1 set
Chrome	3006 CP	1 set



Available Rose Handles Round & Square Base | Plate Handles

3007



Finish
CHINA BLACK
+ WHITE



Finish
ANTIQUE BRASS
+ BLACK PAINT



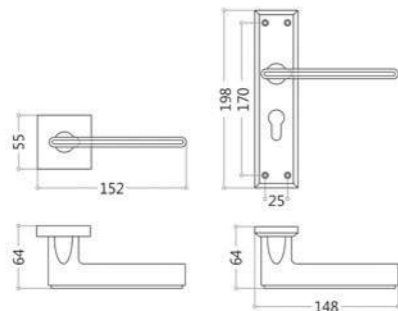
Finish
BLACK PAINT
+ MATT



Finish
MATT
+ WHITE



Finish
CHROME
+ BLACK PAINT



Model	3007
Description	Zinc Die Casting
Grade	Mazak 5
Available Type	Rose & Plate

Finish	Code	Qty. in box
China Black + White	3007 CB WH	1 set
Black Paint + Matt	3007 BL SS	1 set
Antique Brass + Black	3007 AB BL	1 set
Matt + White	3007 SS WH	1 set
Chrome + Black	3007 CP BL	1 set



Available Rose Handles Square Base | Plate Handles

3008



Finish
MATT



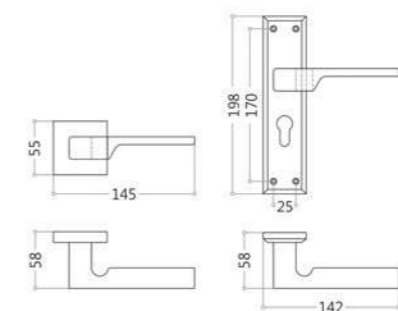
Finish
ANTIQUE BRASS



Finish
CHINA BLACK



Finish
CHROME



Model	3008
Description	Zinc Die Casting
Grade	Mazak 5
Available Type	Rose & Plate

Finish	Code	Qty. in box
Matt	3008 SS	1 set
China Black	3008 CB	1 set
Antique Brass	3008 AB	1 set
Chrome	3008 CP	1 set



Available Rose Handles Square Base

3009



Finish
MATT
+ CHROME



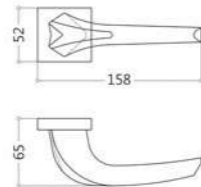
Finish
SATIN
+ SATIN BLACK



Finish
SATIN
+ CHROME



Finish
ANTIQUE BRASS
+ BLACK PAINT



Model	3009
Description	Zinc Die Casting
Grade	Mazak 5
Available Type	Rose

Finish	Code	Qty. in box
Matt + Chrome	3009 SS CP	1 set
Satin + Chrome	3009 ST CP	1 set
Satin + Satin Black	3009 ST STB	1 set
Antique Brass + Black Paint	3009 AB BL	1 set



Available Rose Handles Square Base | Plate Handles

3010



Finish
MATT
+ CHROME



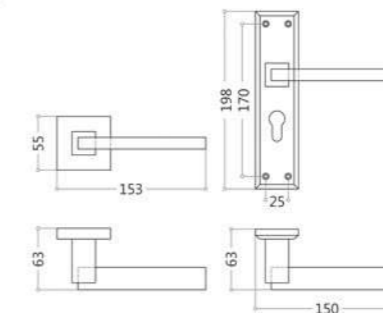
Finish
SATIN
+ WOOD



Finish
CHROME
+ MATT



Finish
CHROME
+ WOOD



Model	3010
Description	Zinc Die Casting
Grade	Mazak 5
Available Type	Rose & Plate

Finish	Code	Qty. in box
Matt + Chrome	3010 SS CP	1 set
Chrome + Matt	3010 CP SS	1 set
Satin + Wood	3010 ST W	1 set
Chrome + Wood	3010 CP W	1 set



Available Rose Handles Square Base | Plate Handles

3011



Finish
MATT



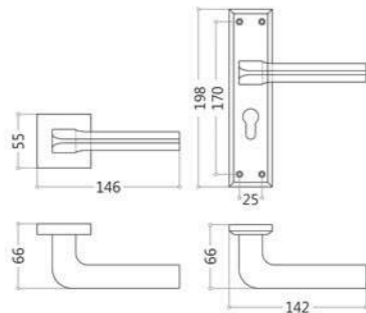
Finish
ANTIQU BRASS



Finish
BLACKENING



Finish
CHROME



Model	3011	
Description	Zinc Die Casting	
Grade	Mazak 5	
Available Type	Rose & Plate	

Finish	Code	Qty. in box
Matt	3011 SS	1 set
Antique Brass	3011 AB	1 set
Blackening	3011 BLN	1 set
Chrome	3011 CP	1 set



Available Rose Handles Square Base | Plate Handles

3012



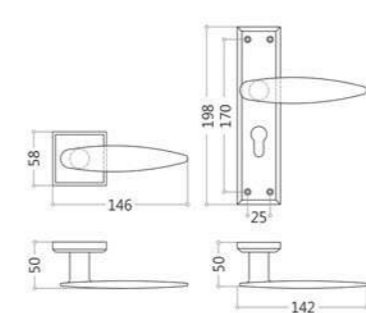
Finish
MATT



Finish
ANTIQU BRASS



Finish
CHROME



Model	3012	
Description	Zinc Die Casting	
Grade	Mazak 5	
Available Type	Rose & Plate	

Finish	Code	Qty. in box
Matt	3012 SS	1 set
Antique Brass	3012 AB	1 set
Chrome	3012 CP	1 set

3013

Finish MATT

Finish ANTIQUE BRASS

Finish CHROME

Finish SATIN BLACK

Finish SATIN

Model	3013	
Description	Zinc Die Casting	
Grade	Mazak 5	
Available Type	Rose & Plate	
Finish	Code	Qty. in box
Matt	3013 SS	1 set
Chrome	3013 CP	1 set
Antique Brass	3013 AB	1 set
Satin Black	3013 STB	1 set
Satin	3013 ST	1 set



3014

Finish MATT

Finish ANTIQUE BRASS

Finish CHROME

Model	3014	
Description	Zinc Die Casting	
Grade	Mazak 5	
Available Type	Rose	
Finish	Code	Qty. in box
Matt	3014 SS	1 set
Chrome	3014 CP	1 set
Antique Brass	3014 AB	1 set



Available Rose Handles Square Base | Plate Handles

3015



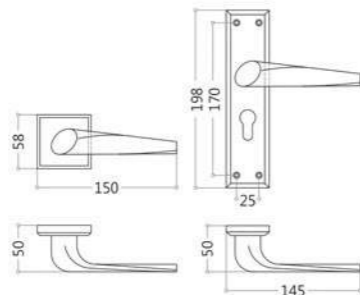
Finish
MATT



Finish
ANTIQUÉ BRASS



Finish
CHROME



Model	3015	
Description	Zinc Die Casting	
Grade	Mazak 5	
Available Type	Rose & Plate	
Finish	Code	Qty. in box
Matt	3015 SS	1 set
Antique Brass	3015 AB	1 set
Chrome	3015 CP	1 set



Available Rose Handles Square Base | Plate Handles

3016



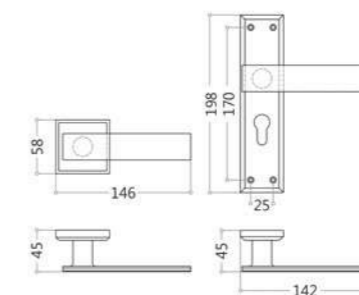
Finish
MATT



Finish
ANTIQUÉ BRASS



Finish
CHROME



Model	3016	
Description	Zinc Die Casting	
Grade	Mazak 5	
Available Type	Rose & Plate	
Finish	Code	Qty. in box
Matt	3016 SS	1 set
Antique Brass	3016 AB	1 set
Chrome	3016 CP	1 set



Available Rose Handles Square Base | Plate Handles

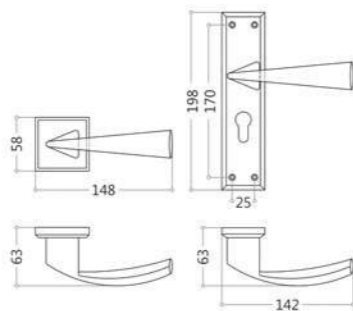
3017



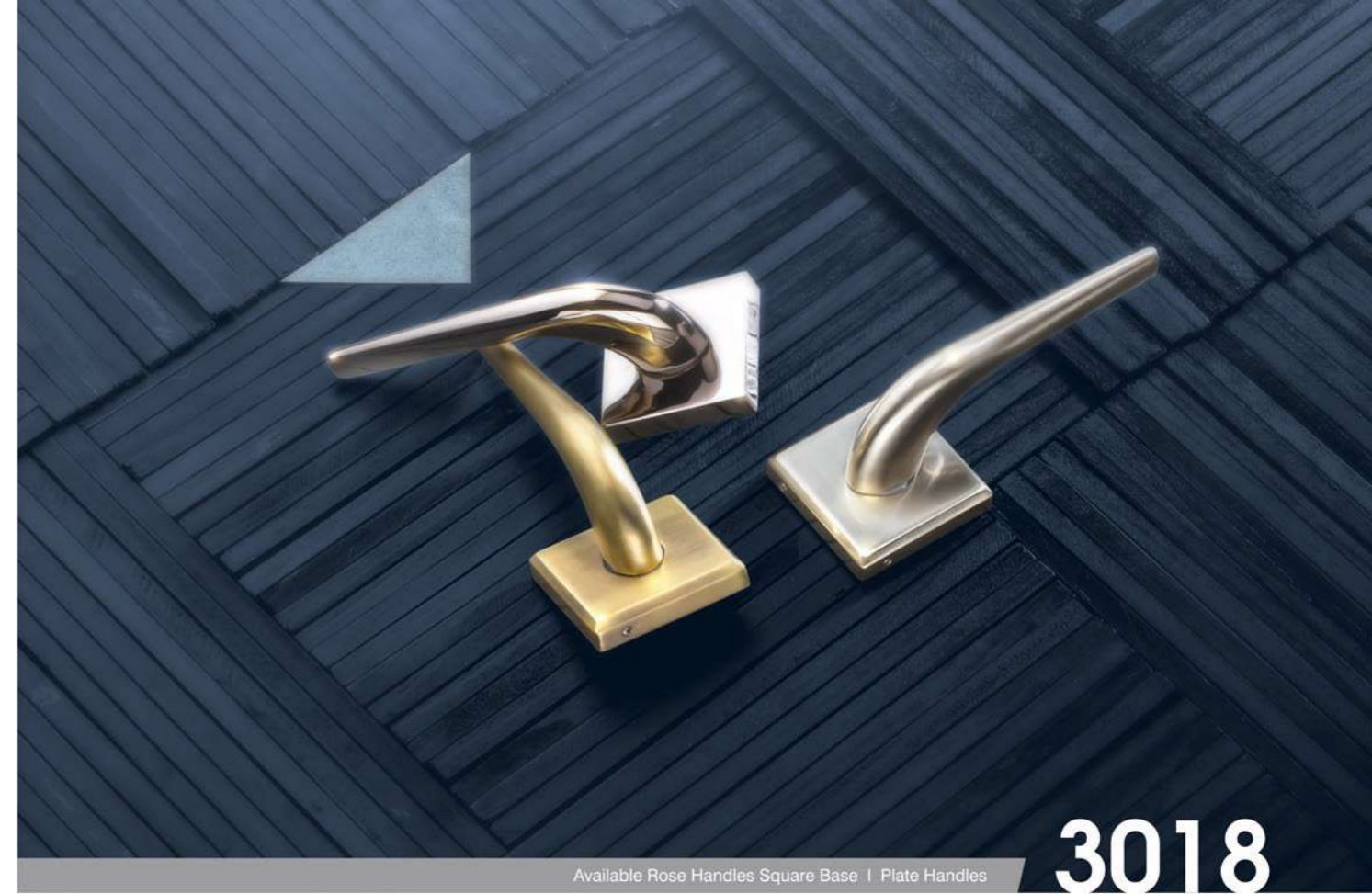
Finish
MATT



Finish
CHROME



Model	3017	
Description	Zinc Die Casting	
Grade	Mazak 5	
Available Type	Rose & Plate	
Finish	Code	Qty. in box
Matt	3017 SS	1 set
Chrome	3017 CP	1 set



Available Rose Handles Square Base | Plate Handles

3018



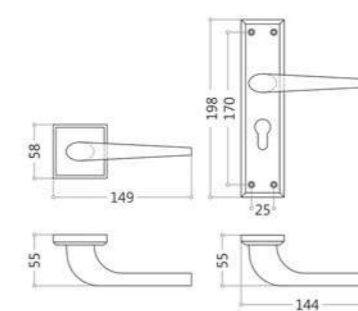
Finish
MATT



Finish
ANTIQUE BRASS



Finish
BLACKENING



Model	3018	
Description	Zinc Die Casting	
Grade	Mazak 5	
Available Type	Rose & Plate	
Finish	Code	Qty. in box
Matt	3018 SS	1 set
Antique Brass	3018 AB	1 set
Blackening	3018 BLN	1 set



Available Rose Handles Square Base | Plate Handles

3019



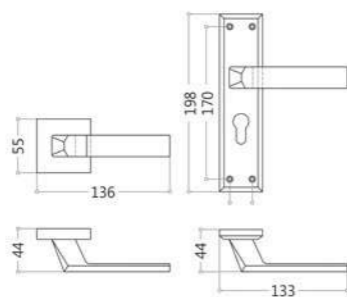
Finish
MATT



Finish
ANTIQUÉ BRASS



Finish
CHROME



Model	3019	
Description	Zinc Die Casting	
Grade	Mazak 5	
Available Type	Rose & Plate	
Finish	Code	Qty. in box
Matt	3019 SS	1 set
Antique Brass	3019 AB	1 set
Chrome	3019 CP	1 set



Available Rose Handles Square Base | Plate Handles

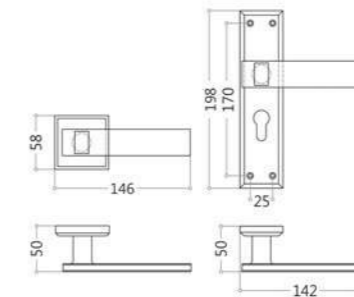
3020



Finish
CHROME
+ WHITE (MOP)



Finish
CHROME
+ WENGE (MOP)



Model	3020	
Description	Zinc Die Casting	
Grade	Mazak 5	
Available Type	Rose & Plate	
Finish	Code	Qty. in box
Chrome + White (MOP)	3020 CP WH	1 set
Chrome + Wenge (MOP)	3020 CP WG	1 set



Available Plate Handles

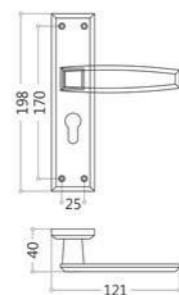
3021



Finish
MATT



Finish
CHROME



Model	3021	
Description	Zinc Die Casting	
Grade	Mazak 5	
Available Type	Plate	
Finish	Code	Qty. in box
Matt	3021 SS	1 set
Chrome	3021 CP	1 set



Available Rose Handles Square Base

3022



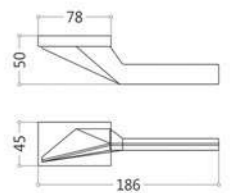
Finish
MATT



Finish
SATIN



Finish
SATIN BLACK



Model	3022	
Description	Zinc Die Casting	
Grade	Mazak 5	
Available Type	Rose	
Finish	Code	Qty. in box
Matt	3022 SS	1 set
Satin	3022 ST	1 set
Satin Black	3022 STB	1 set

* Use for Lock Body 60mm x 85mm only

3023



Finish
MATT



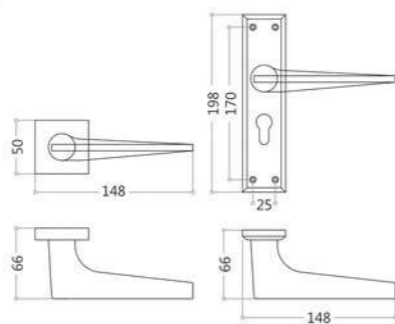
Finish
SATIN



Finish
CHROME



Finish
SATIN BLACK



Model	3023	
Description	Zinc Die Casting	
Grade	Mazak 5	
Available Type	Rose & Plate	

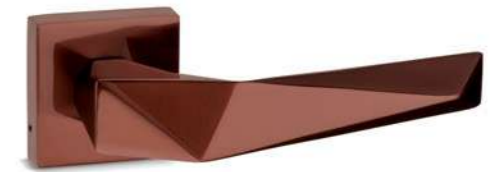
Finish	Code	Qty. in box
Matt	3023 SS	1 set
Chrome	3023 CP	1 set
Satin	3023 ST	1 set
Satin Black	3023 STB	1 set



3024



Finish
SATIN



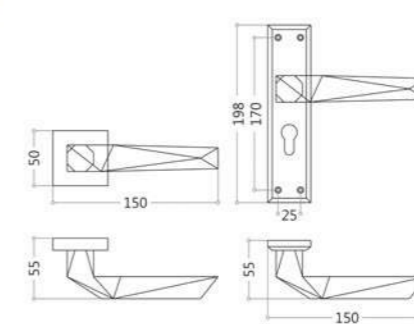
Finish
COCACOLA



Finish
CHROME



Finish
SATIN BLACK



Model	3024	
Description	Zinc Die Casting	
Grade	Mazak 5	
Available Type	Rose & Plate	

Finish	Code	Qty. in box
Satin	3024 ST	1 set
Chrome	3024 CP	1 set
Cocacola	3024 CO	1 set
Satin Black	3024 STB	1 set

3025



Finish
SATIN
+ WOOD



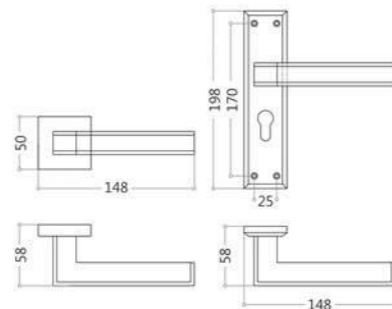
Finish
SATIN BLACK
+ BLACK PAINT



Finish
CHROME
+ WOOD



Finish
CHROME
+ MATT



Model	3025
Description	Zinc Die Casting
Grade	Mazak 5
Available Type	Rose & Plate

Finish	Code	Qty. in box
Satin + Wood	3025 ST W	1 set
Chrome + Wood	3025 CP W	1 set
Satin Black + Black Paint	3025 STB BL	1 set
Chrome + Matt	3025 CP SS	1 set



3026



Finish
MATT
+ WOOD



Finish
ANTIQUE BRASS
+ WOOD



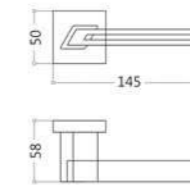
Finish
SATIN
+ BLACK PAINT



Finish
CHROME
+ WOOD



Finish
SATIN
+ CHROME



Model	3026
Description	Zinc Die Casting
Grade	Mazak 5
Available Type	Rose

Finish	Code	Qty. in box
Matt + Wood	3026 SS W	1 set
Satin + Black Paint	3026 ST BL	1 set
Stain + Chrome	3026 ST CP	1 set
Antique Brass + Wood	3026 AB W	1 set
Chrome + Wood	3026 CP W	1 set



Available Rose Handles Square Base

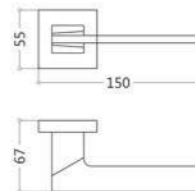
3027



Finish
SATIN
+ WHITE



Finish
CHROME
+ WOOD



Model	3027	
Description	Zinc Die Casting	
Grade	Mazak 5	
Available Type	Rose	
Finish	Code	Qty. in box
Satin + White	3027 ST WH	1 set
Chrome + Wood	3027 CP W	1 set



Available Rose Handles Square Base

3028



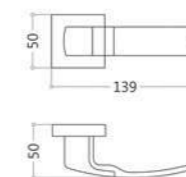
Finish
MATT
+ CHROME



Finish
CHROME
+ WOOD



Finish
BLACK PAINT
+ CHROME



Model	3028	
Description	Zinc Die Casting	
Grade	Mazak 5	
Available Type	Rose	
Finish	Code	Qty. in box
Matt + Chrome	3028 SS CP	1 set
Black Paint + Chrome	3028 BL CP	1 set
Chrome + Wood	3028 CP W	1 set

3030



Finish
MATT



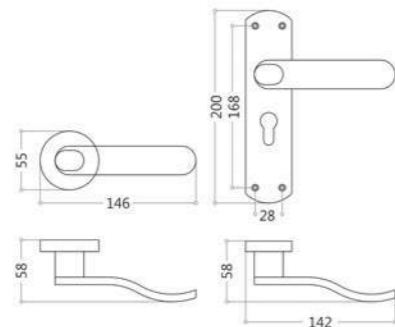
Finish
SATIN BLACK



Finish
SATIN



Finish
CHROME



Model	3030	
Description	Zinc Die Casting	
Grade	Mazak 5	
Available Type	Rose & Plate	
Finish	Code	Qty. in box
Matt	3030 SS	1 set
Satin	3030 ST	1 set
Satin Black	3030 STB	1 set
Chrome	3030 CP	1 set



3031



Finish
SATIN



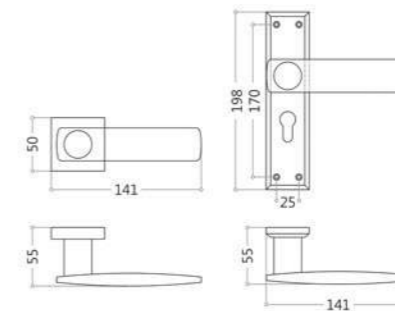
Finish
COCACOLA



Finish
CHROME



Finish
SATIN BLACK



Model	3031	
Description	Zinc Die Casting	
Grade	Mazak 5	
Available Type	Rose & Plate	
Finish	Code	Qty. in box
Satin	3031 ST	1 set
Chrome	3031 CP	1 set
Cocacola	3031 CO	1 set
Satin Black	3031 STB	1 set



Available Rose Handles Square Base

3032



Finish
MATT
+ CHROME



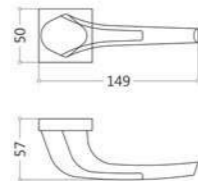
Finish
SATIN
+ WOOD



Finish
SATIN
+ CHROME



Finish
MATT
+ BLACK PAINT



Model	3032	
Description	Zinc Die Casting	
Grade	Mazak 5	
Available Type	Rose & Plate	

Finish	Code	Qty. in box
Matt + Chrome	3032 SS CP	1 set
Satin + Chrome	3032 ST CP	1 set
Satin + Wood	3032 ST W	1 set
Matt + Black Paint	3032 SS BL	1 set



Available Rose Handles Square Base

3036



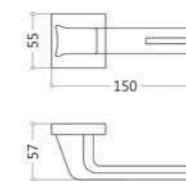
Finish
SATIN
+ SATIN BLACK



Finish
CHROME
+ COCACOLA



Finish
SATIN BLACK
+ CHROME



Model	3036	
Description	Zinc Die Casting	
Grade	Mazak 5	
Available Type	Rose	

Finish	Code	Qty. in box
Satin + Satin Black	3036 ST STB	1 set
Satin Black + Chrome	3036 STB CP	1 set
Chrome + Cocacola	3036 CP CO	1 set

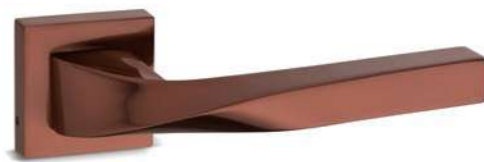


Available Rose Handles Square Base

3037



Finish
MATT



Finish
COCACOLA



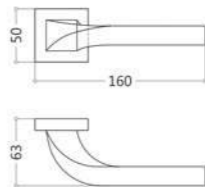
Finish
SATIN



Finish
CHROME

Model	3037	
Description	Zinc Die Casting	
Grade	Mazak 5	
Available Type	Rose	

Finish	Code	Qty. in box
Matt	3037 SS	1 set
Satin	3037 ST	1 set
Cocacola	3037 CO	1 set
Chrome	3037 CP	1 set



Available Rose Handles Round Base

3038



Finish
SATIN



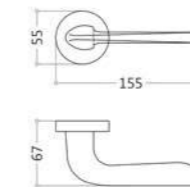
Finish
CHROME



Finish
SATIN BLACK

Model	3038	
Description	Zinc Die Casting	
Grade	Mazak 5	
Available Type	Rose	

Finish	Code	Qty. in box
Satin	3038 ST	1 set
Satin Black	3038 STB	1 set
Chrome	3038 CP	1 set





Available Rose Handles Square Base

3039



Finish
MATT



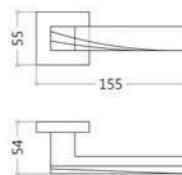
Finish
SATIN BLACK



Finish
SATIN



Finish
CHROME



Model	3039	
Description	Zinc Die Casting	
Grade	Mazak 5	
Available Type	Rose	

Finish	Code	Qty. in box
Matt	3039 SS	1 set
Satin	3039 ST	1 set
Satin Black	3039 STB	1 set
Chrome	3039 CP	1 set



Available Rose Handles Square Base

3040



Finish
SATIN



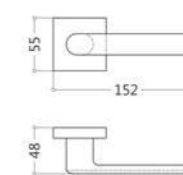
Finish
SAMPION



Finish
CHROME



Finish
SATIN BLACK



Model	3040	
Description	Zinc Die Casting	
Grade	Mazak 5	
Available Type	Rose	

Finish	Code	Qty. in box
Satin	3040 ST	1 set
Chrome	3040 CP	1 set
Sampion	3040 SP	1 set
Satin Black	3040 STB	1 set



Available Rose Handles Round Base

3041



Finish
SATIN
+ CHROME



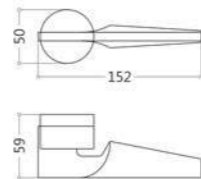
Finish
CHROME
+ SATIN BLACK



Finish
SATIN BLACK
+ SATIN



Finish
CHROME
+ WOOD



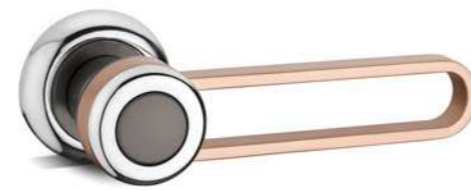
Model	3041	
Description	Zinc Die Casting	
Grade	Mazak 5	
Available Type	Rose	

Finish	Code	Qty. in box
Satin + Chrome	3041 SS CP	1 set
Satin Black + Satin	3041 STB ST	1 set
Chrome + Satin Black	3041 CP STB	1 set
Chrome + Wood	3041 CP W	1 set



Available Rose Handles Round Base

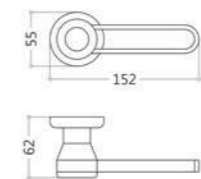
3042



Finish
ROSE GOLD
+ CHROME



Finish
SATIN
+ SATIN BLACK



Model	3042	
Description	Zinc Die Casting	
Grade	Mazak 5	
Available Type	Rose	

Finish	Code	Qty. in box
Rose Gold + Chrome	3042 RG CP	1 set
Satin + Satin Black	3042 ST STB	1 set



Available Rose Handles Round Base



Finish
STAINLESS STEEL
(PIPE)
AISI 304

8001



Finish
STAINLESS STEEL
(PIPE)
AISI 304

8002



Finish
STAINLESS STEEL
(PIPE)
AISI 304

8003



Finish
STAINLESS STEEL
(PIPE)
AISI 304

8004



Finish
STAINLESS STEEL
(SOLID)
AISI 304

8005



Finish
STAINLESS STEEL
(SOLID)
AISI 304

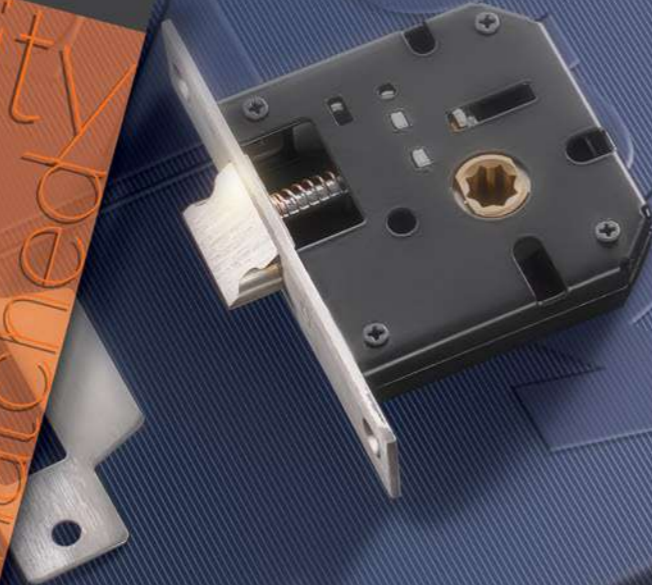
8006

LOCK
BODY & Cylinder

Creativity
Unmatched



Kadson
Creativity Unmatched...





3221

Model	3221 Three Bullet Square Lock Body
Material	Stainless Steel
Finish	Matt
Size	45mm x 85 mm
Mechanism	Pure Brass



3222

Model	3222 Biscuit Lock Body
Material	Stainless Steel
Finish	Matt
Size	45mm x 85 mm
Mechanism	Pure Brass



3223

Model	3223 Four Bullet Round Lock Body
Material	Stainless Steel
Finish	Matt
Size	50mm x 85 mm
Mechanism	Pure Brass



3224

Model	3224 Four Bullet Round Lock Body
Material	Stainless Steel
Finish	Matt
Size	60mm x 85 mm
Mechanism	Pure Brass





3225

Model	3225 Biscuit Lock Body
Material	Stainless Steel
Finish	Matt
Size	45mm x 45 mm
Mechanism	Pure Brass

*Use For 8" Plate Handle Only



3227

Model	3227 Dead Lock with Key Hall
Material	Stainless Steel
Finish	Matt
Size	60mm
Mechanism	Pure Brass



3226

Model	3226 Dead Lock with Key Hall
Material	Stainless Steel
Finish	Matt
Size	50 mm
Mechanism	Pure Brass



3228

Model	3228 Baby Latch
Material	Stainless Steel
Finish	Matt
Size	45mm
Mechanism	Pure Brass



4360
4560

Model	Lock Cylinder (One Side Knob + One Side Key)
Material	Pure Brass
Finish	Matt
Size	60 mm 70 mm 80 mm 90 mm
Key	3 Ultra Dimple Key (4360) 5 Ultra Dimple Key (4560)



4060

Model	Lock Cylinder (Both Side Key)
Material	Pure Brass
Finish	Matt
Size	60 mm 70 mm 80 mm 90 mm
Key	3 Ultra Dimple Key



440

Model	Half Cylinder (One Side Knob)
Material	Pure Brass
Finish	Matt
Size	40 mm 45 mm



460

Model	Lock Cylinder (Coin Cylinder) (One Side Knob)
Material	Pure Brass
Finish	Matt
Size	60 mm 70 mm 80 mm

KE-11



Model	KE - 11 Door Buffer Mountain on the Floor
Material	Zinc Alloy
Finish	Matt, Chrome, Antique Brass
Size	Standard
Usage	Glass & Wooden Door

KE-12



Model	KE - 12 Door Buffer Mountain on the Floor
Material	Zinc Alloy
Finish	Matt, Chrome, Antique Brass
Size	Standard
Usage	Glass & Wooden Door

KE-13



Model	KE - 13 Door Buffer Mountain on the Floor
Material	Zinc Alloy
Finish	Matt, Chrome, Antique Brass
Size	Standard
Usage	Glass & Wooden Door



KE-14

Model	KE - 14 Door Buffer Mountain on the Floor
Material	Zinc Alloy
Finish	Matt, Chrome, Antique Brass
Size	Standard
Usage	Glass & Wooden Door



KE-15

Model	KE - 15 Door Stopper Mountain on the Floor
Material	Zinc Alloy
Finish	Matt, Chrome, Antique Brass
Size	Standard
Usage	Glass & Wooden Door

*This Device used to hold a door from opening too widely.

Creativity
Unmatched



Kadson

Creativity Unmatched...



w w w . k a d s o n . c o . i n

Manufactured by :



Kadson
Creativity Unmatched...

Kadson Industries

Rajkot (Gujarat) INDIA

E-mail : sales@kadson.co.in
Customer Care : +91 99098 88988

